

AMERICAN CHANGER & HOFFMAN MINT

Changing the IndustrySM



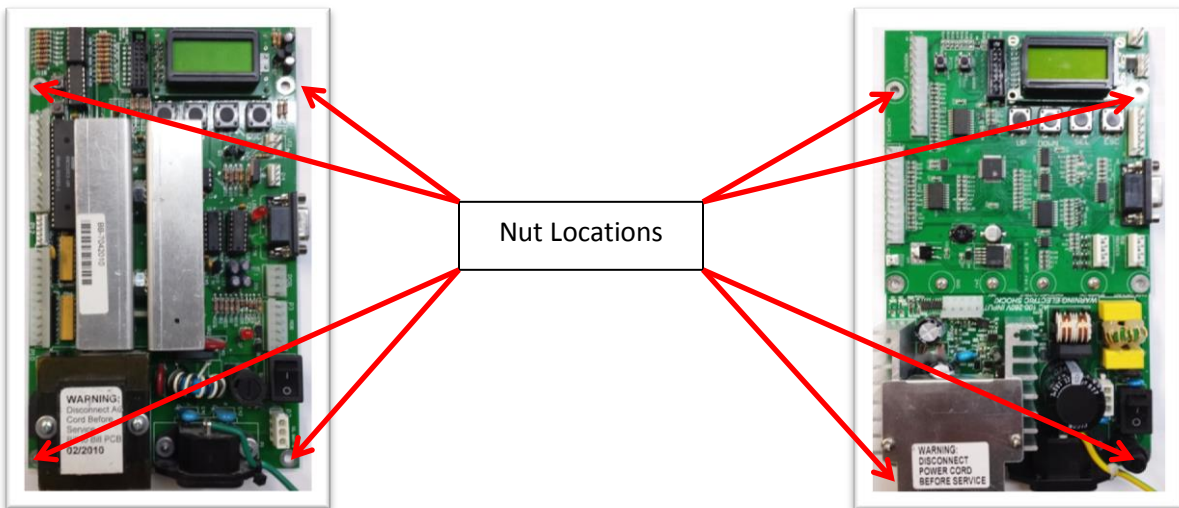
1400 N. W. 65th Place, Fort Lauderdale, Florida 33309
T: (+1) 954-917-3009 F: (+1) 954-917-3079
www.americanchanger.com www.hoffmanmint.com



Retro-fitting Puloon Dispenser into Existing Machine

****NOTE** AMERICAN CHANGER CORP. RECCOMENDS THAT THIS INSTALLATION BE PERFORMED BY TWO PEOPLE.**

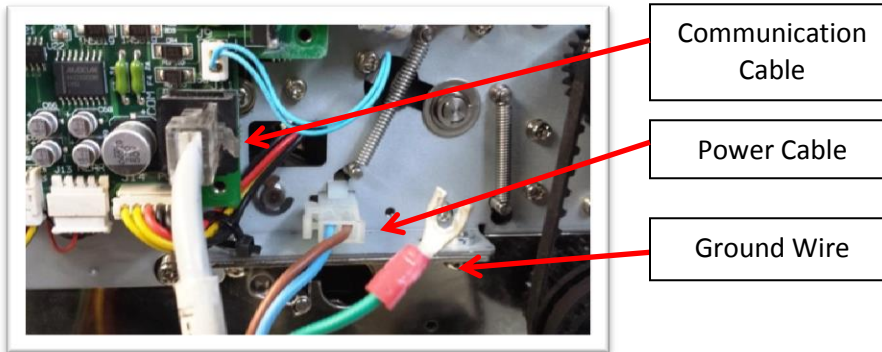
Step 1: Ensure that the machine is unplugged from the outlet or disconnect the power cord from the main board. Disconnect the harnesses from the main board then remove the main board from the cabinet. One nut is located at each corner of the board. A fifth nut is located where the ground wire is grounded to the cabinet.



Older Version Main Board

Newer Version Main Board

Step 2: Disconnect the communication cable and power harness from the side of the bill dispenser. You will also need to remove the ground wire that is screwed onto the side cover of the dispenser. After disconnecting the harnesses remove them from the cabinet. You will need to undo ladder clamps and cut some cable ties in order to completely remove the harnesses.

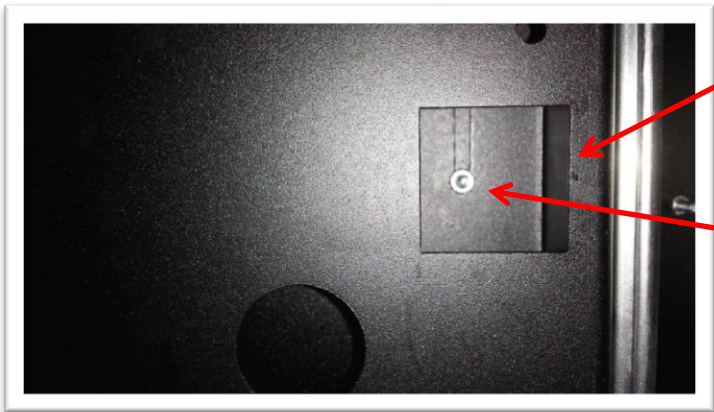


Side View of Dispenser

Step 3: **** CAUTION** THE ASSEMBLY BEING REMOVED IN THIS STEP WEIGHS APPROXIMATELY 56 POUNDS AND IS TOP HEAVY. THERE IS A STRONG POSSIBILITY OF THE ASSEMBLY FALLING OUT OF THE CABINET AND CAUSING INJURY. TAKE EVERY PRECAUTION NECESSARY BEFORE REMOVING THE ASSEMBLY.** Pull the bill dispenser out as far as possible. There are four square openings in the stationary metal mount under the dispenser mount that has just been pulled out. Use a nut driver with an 11/32 bit to remove the nuts holding the mount to the cabinet. Once all four nuts have been removed; lift the assembly and remove it from the cabinet.



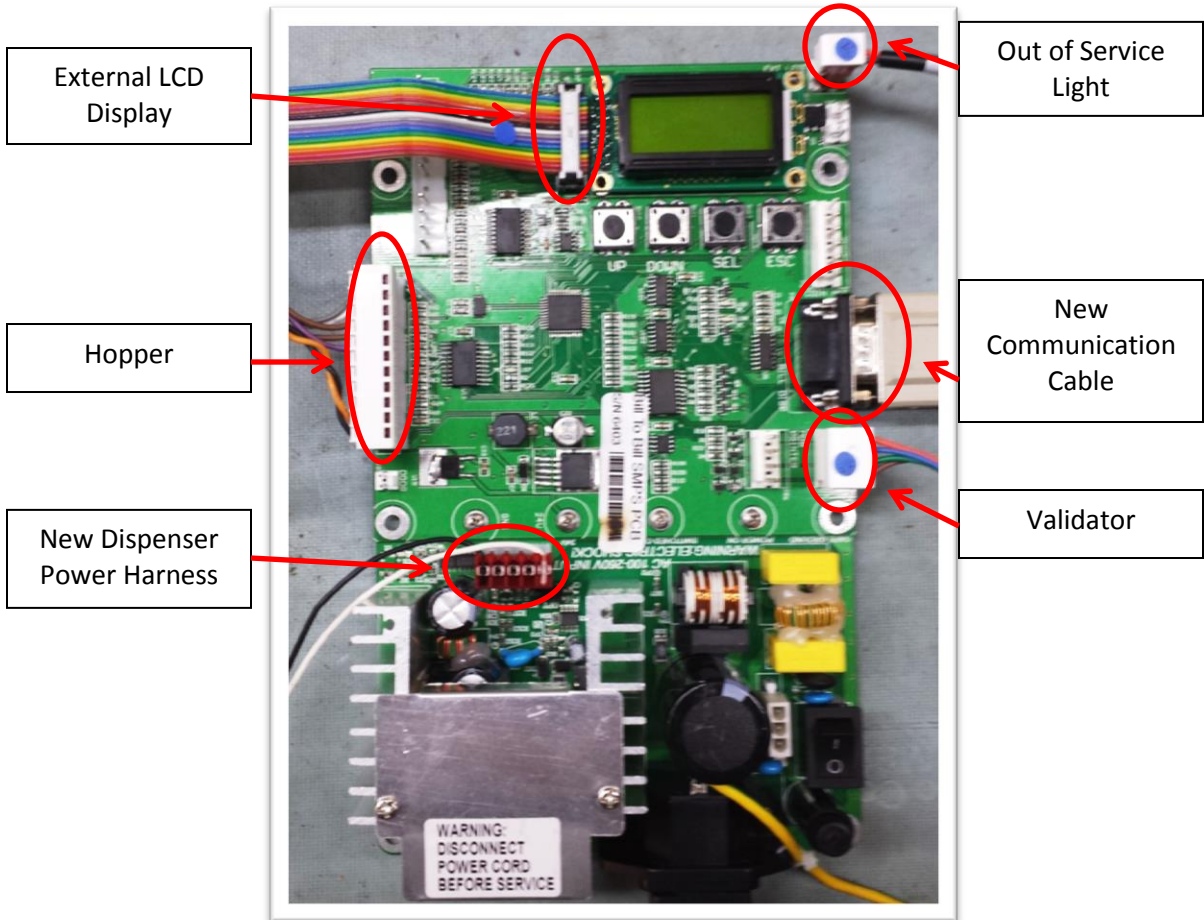
View of LG
dispenser mount
slide out to its
farthest point.



Square Opening

Nut

Step 4: Install the new board that was included with the kit. Use the following picture to reconnect your harnesses.



Step 5: Install the new mount in the cabinet. The new bill dispenser is already mounted for you. Secure the mount on to the same studs the previous mount was secured to using the same nuts. If you have a coin hopper in your machine remove the hopper plate from the old mount and install it on to the new mount.

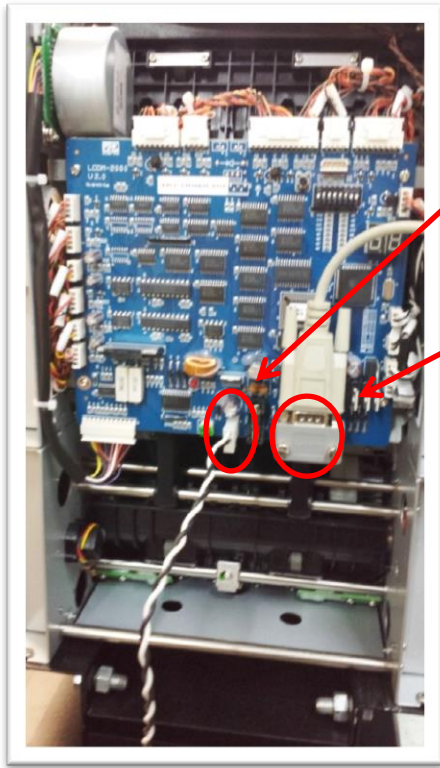


New Dispenser on New Mount (Without Hopper)

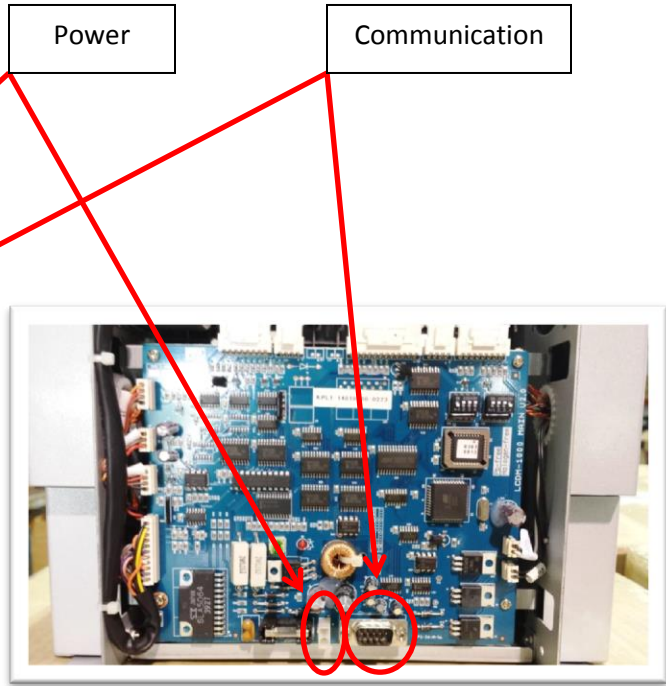


New Dispenser on New Mount (With Hopper)

Step 6: Connect the communication and power harnesses to the new dispenser.



New Dual Note
Dispenser



New Single Note
Dispenser



View of completed installation done on a front load model.